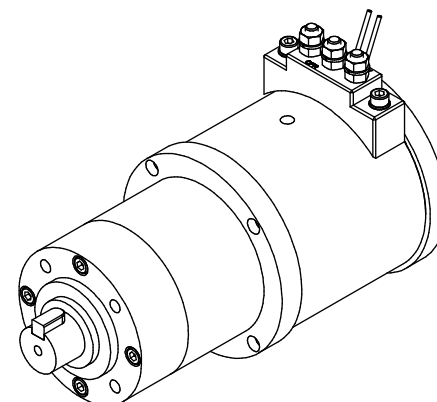


Traction motor data		
1	Type : AC Asynchronous	
2	Power (S2 - 60 min)	W 150
3	Motor voltage (~3)	V 16
4	Battery voltage	V 24
5	Speed	rpm 2800
6	Frequency	Hz 100
7	Current	A 9
8	Torque	Nm 0.5
9		
10		
11	Enclosure	IP 23
12	Brake torque	Nm
Gear data		
13		
14	Gear ratio	i 1:46
15		
16	Output speed	rpm 61
17	Output torque	Nm 16
18		
19	Efficiency	η 0.75
20		
21	Lubrication	Grease
22	Max radial load	N 600
23	Max axial load	N 120
24	Working temperature	°C -15~+80°
25	Total Weight	kg 12



Available on request	
A	Motors: Permanent Magnet, Series Wound, Sepex, AC Asynchronous
B	Voltages: 12V, 24V, 36V, 48V, 72V, 80V
C	Brake application
D	Encoder application
E	
F	

Gear ratio available on request		
Stages n°1	Stages n°2	Stages n°3
1:3.70	1:13.73	1:50.89
1:4.28	1:15.88	1:58.85
1:5.18	1:19.20	1:68.06
1:6.75	1:22.20	1:71.16
	1:25.01	1:92.70
	1:28.93	1:99.50
	1:34.97	1:115.07
	1:45.56	1:129.62
		1:149.90
		1:181.24
		1:236.09