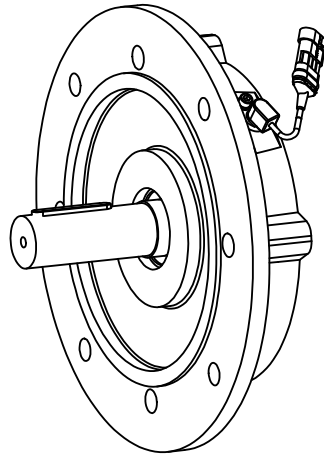
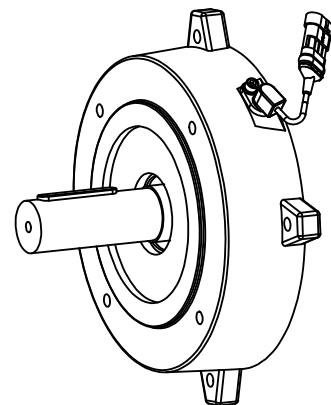




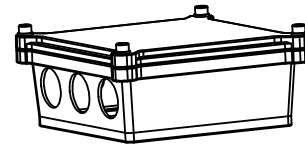
**09.A:**  
FRONT FLANGE B5/160  
*with Encoder RT 80PPR*



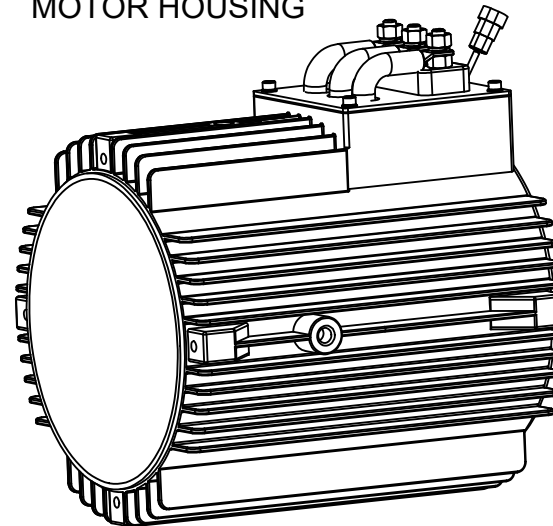
**09.B:**  
FRONT FLANGE B14/160  
*with Encoder RT 80PPR*



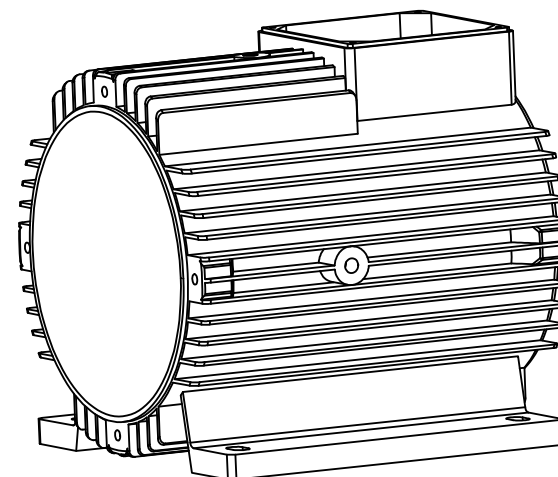
**01.B:**  
BOX  
*with 3x Holes  $\varnothing$ 32*



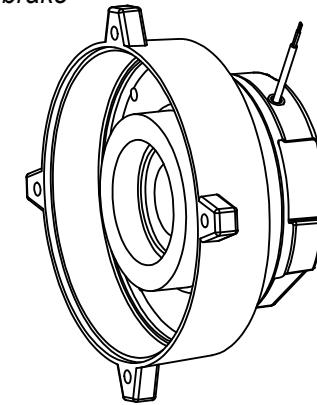
**01.A:**  
MOTOR HOUSING



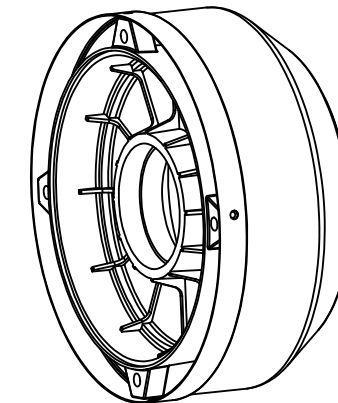
**01.C:**  
MOTOR HOUSING  
*with foot-mounting*

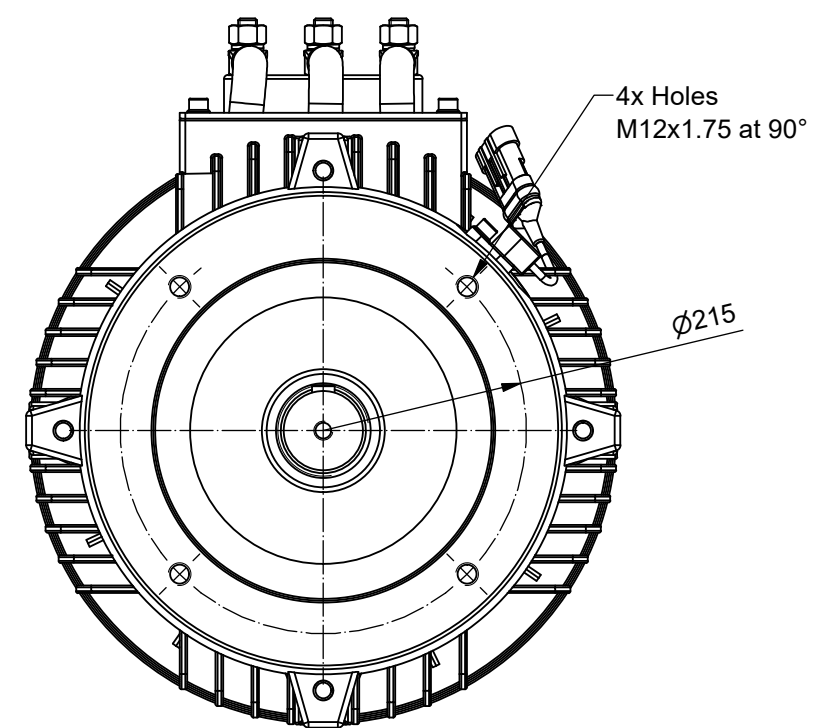
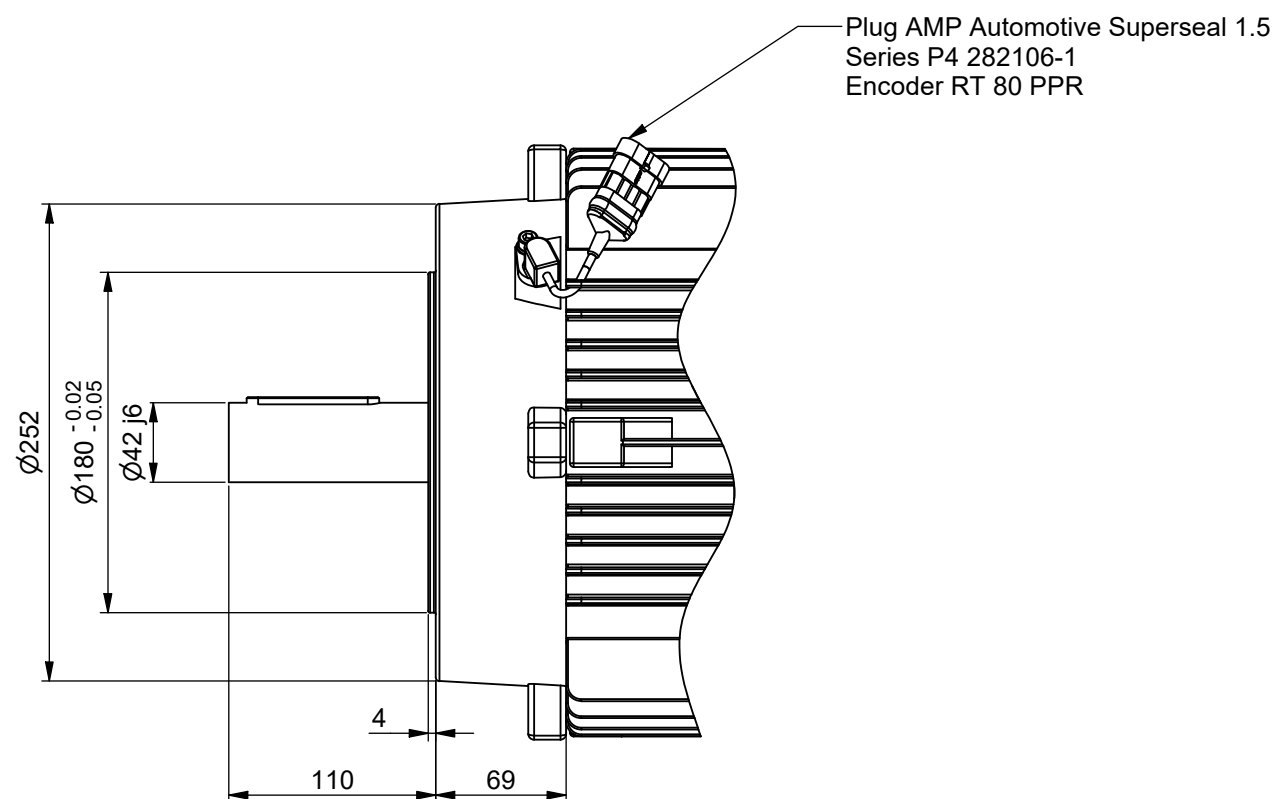
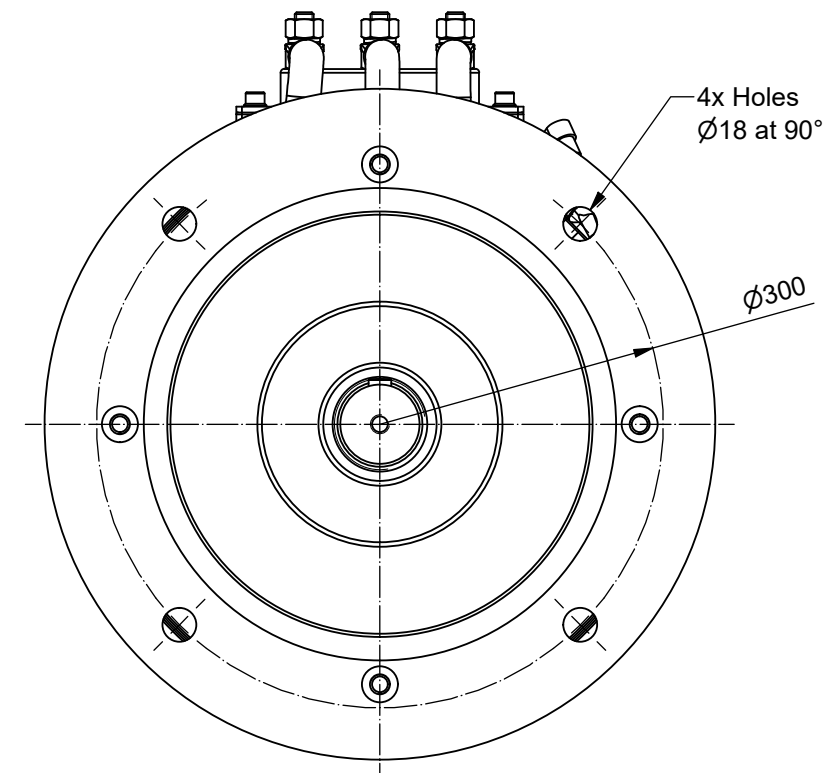
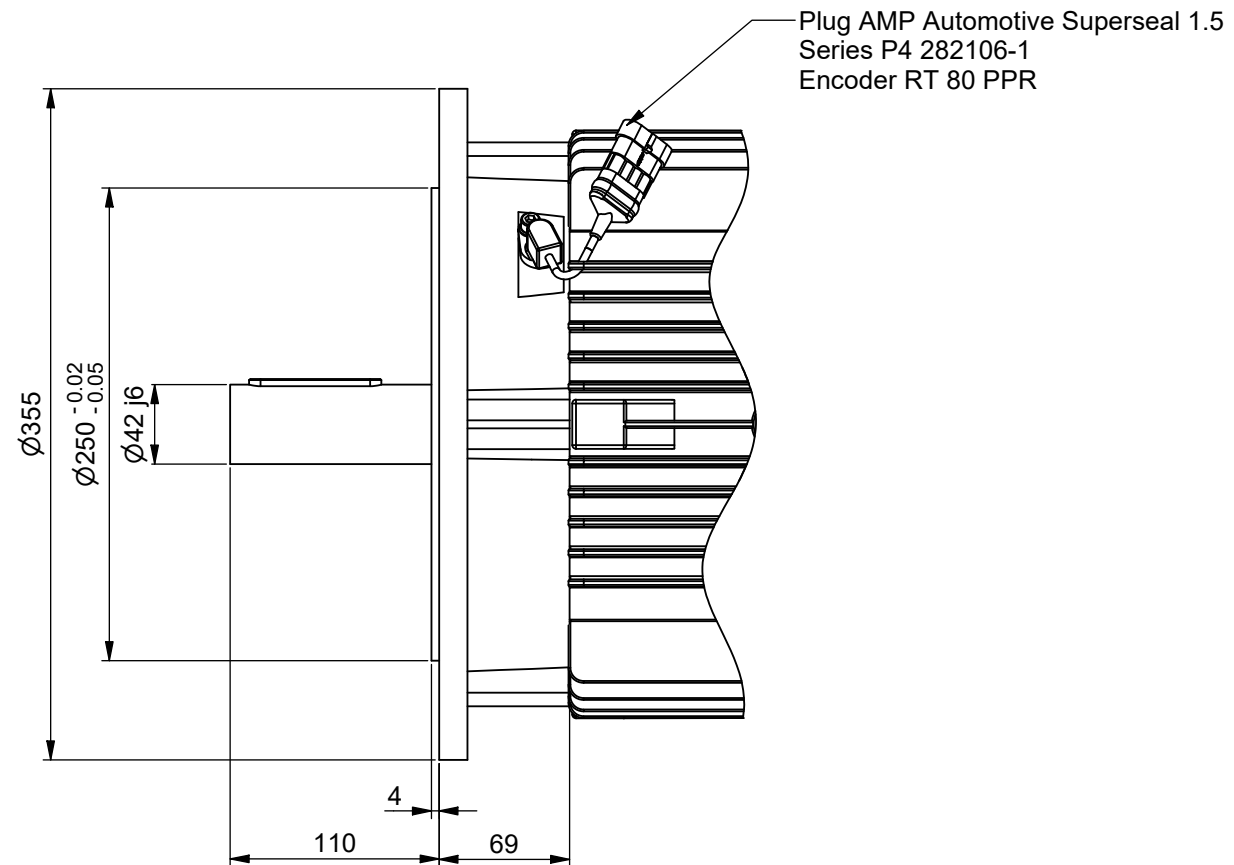


**08.A:**  
REAR FLANGE  
*with brake*



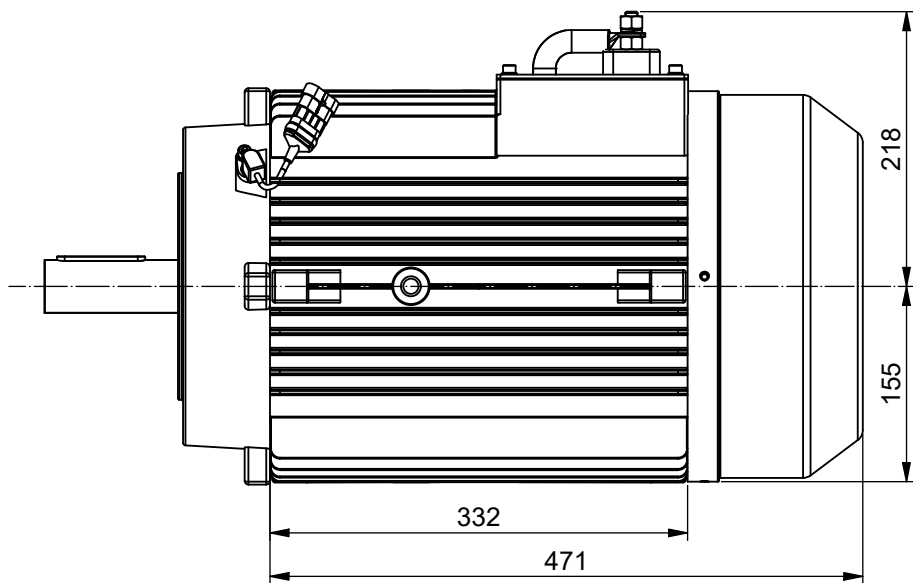
**08.B:**  
REAR FLANGE  
*with cooling fan and cover*



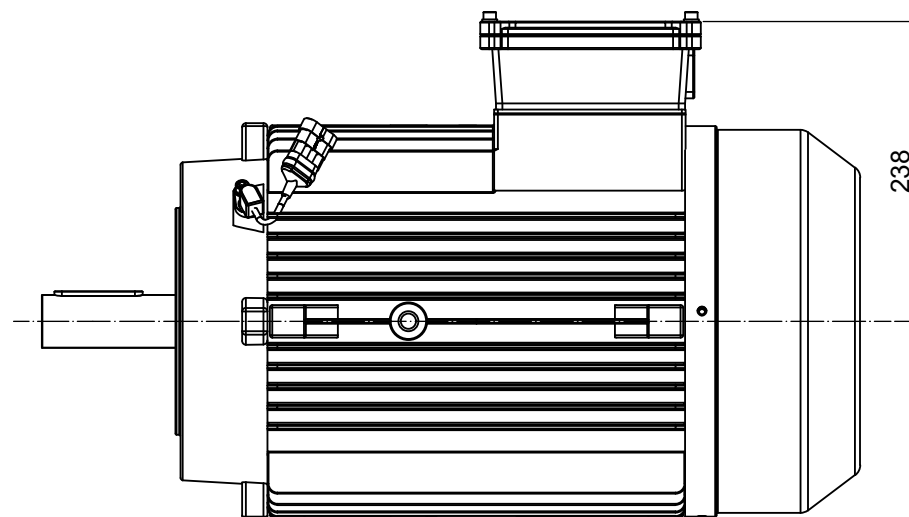




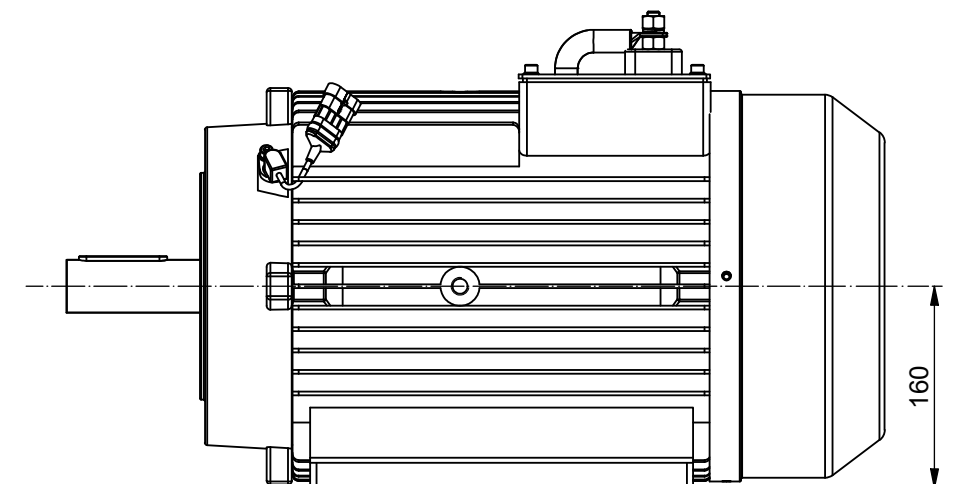
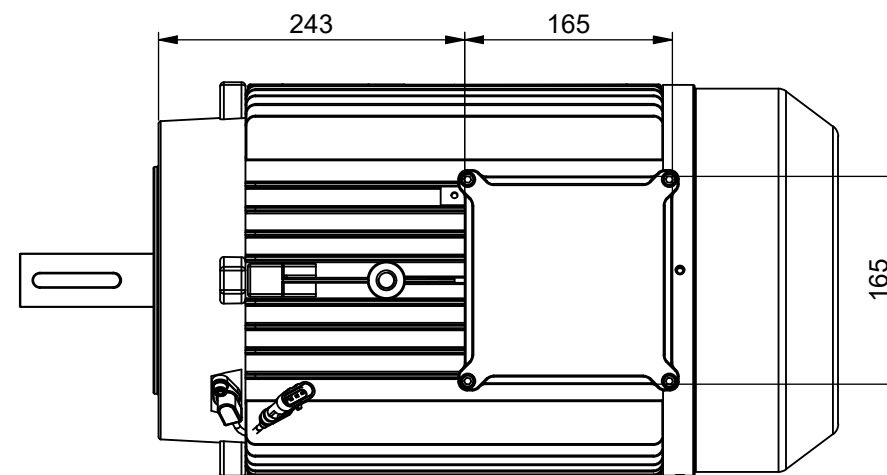
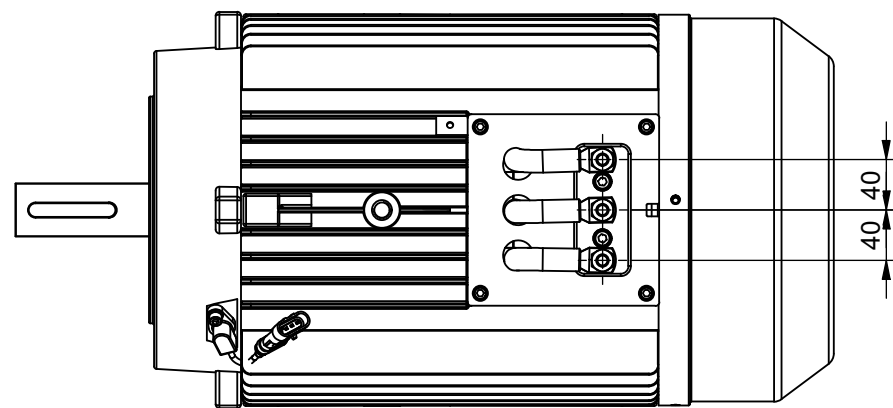
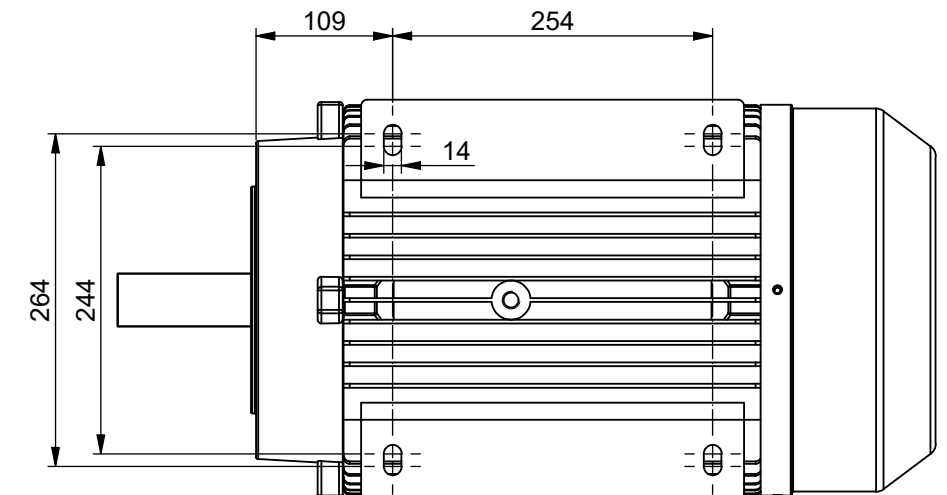
**01.A:**  
MOTOR HOUSING  
*without foot-mounting*



**01.B:**  
BOX  
*with 3x Holes  $\varnothing 32$*



**01.C:**  
MOTOR HOUSING  
*with foot-mounting*

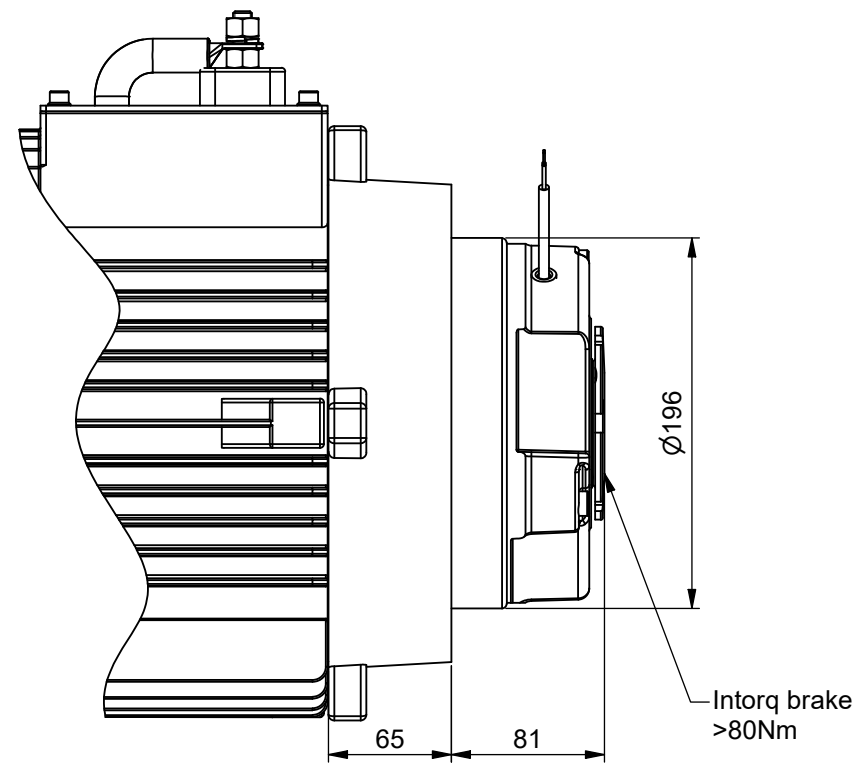
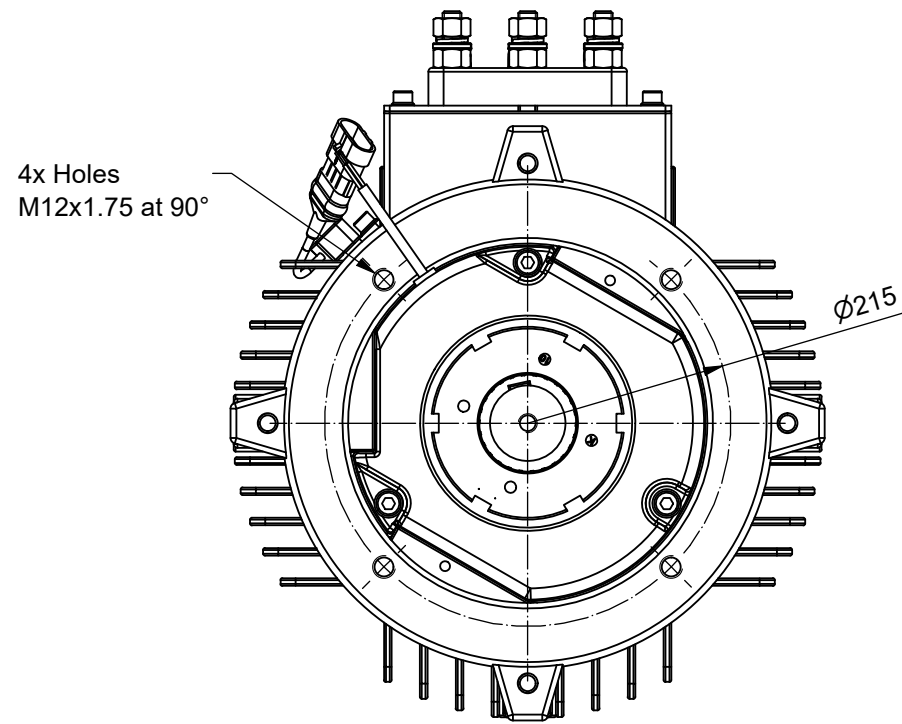


AMP243 motor characteristics

Diameter [mm]	Length [mm]	Torque S2=5' [Nm]	Torque S2=60' [Nm]	Power S2=60' [kW]	Torque S2=60' (Cooled) [Nm]	Power S2=60' (Cooled) [kW]
243	210	220	70	15	90	18
243	240	250	80	17	100	21



**08.A:**  
REAR FLANGE  
*with brake*



**08.B:**  
REAR FLANGE  
*with cooling fan and cover*

