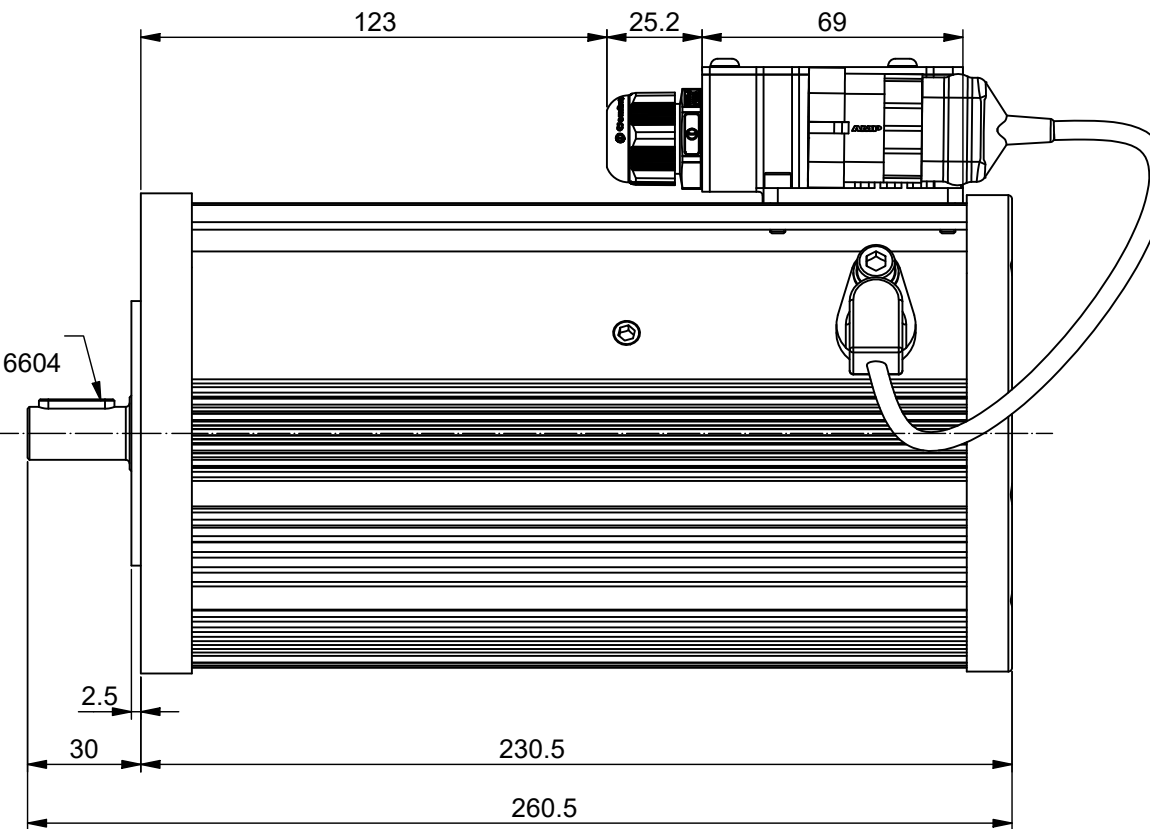
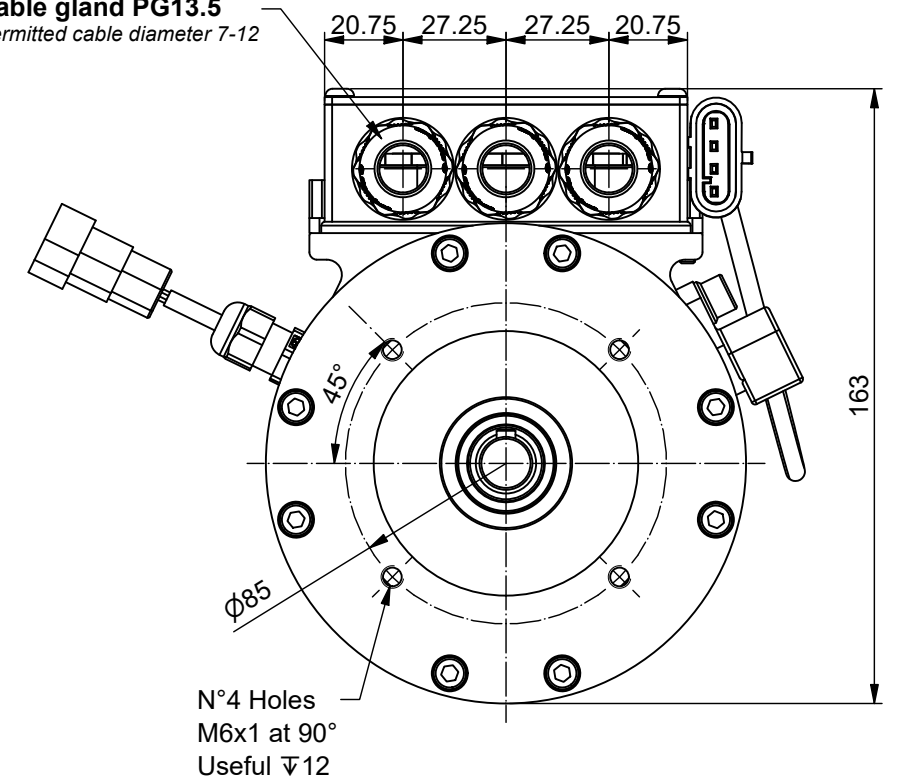


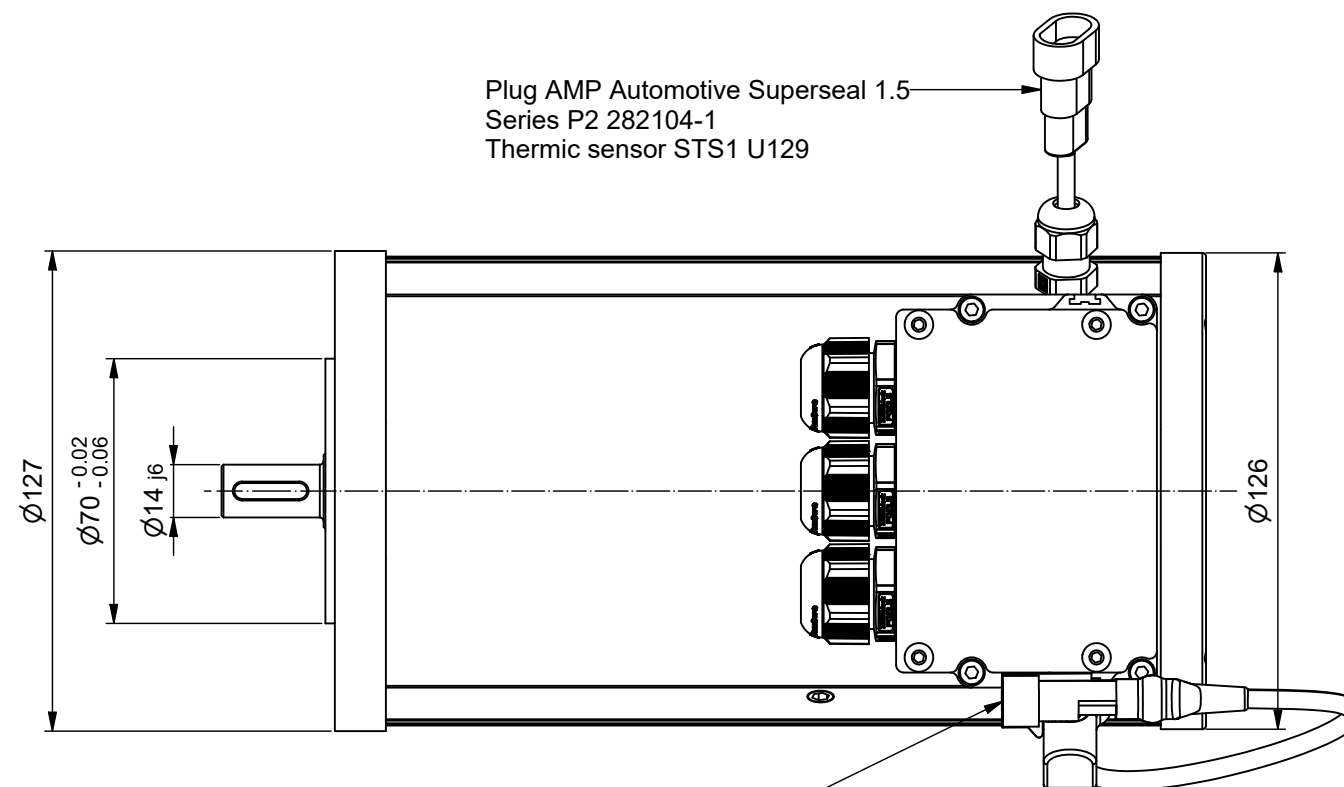
Feather key
5x5x20 UNI 6604



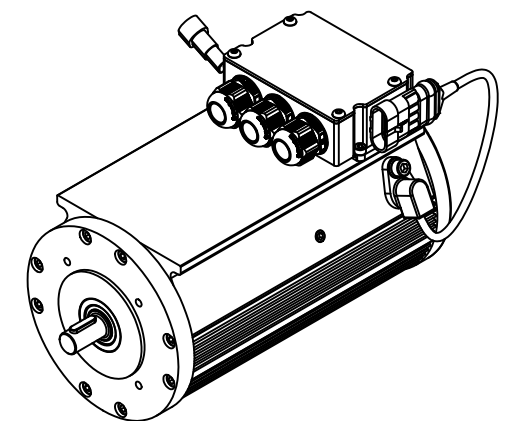
Cable gland PG13.5
Permitted cable diameter 7-12



Plug AMP Automotive Superseal 1.5
Series P2 282104-1
Thermic sensor STS1 U129



Plug AMP Automotive Superseal 1.5
Series P4 282106-1
Encoder RT 48 PPR



B			
A		A.M.	
Ref. :	Description :	Signature :	Ref. Date :
Measures without tolerance must be considered +/-1mm. These drawings may be subject to change over time.			
Product : AMX 106 - 105 - B14/71			
All rights reserved. No designs, or part of them, may be copied, modified or transmitted in any form without permission of C.F.R.		Date: 25/03/2022	Scale: 1:2