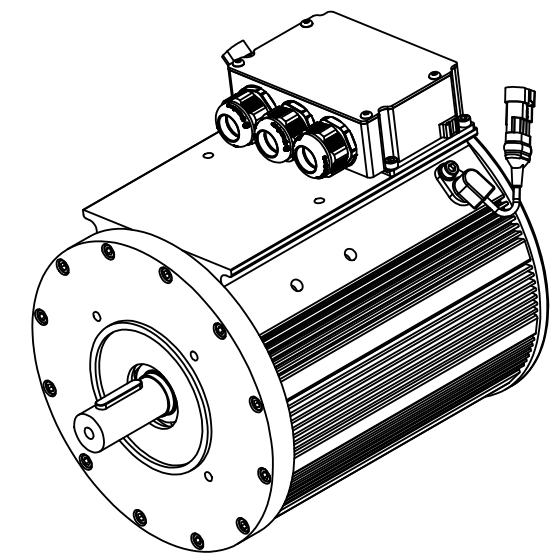
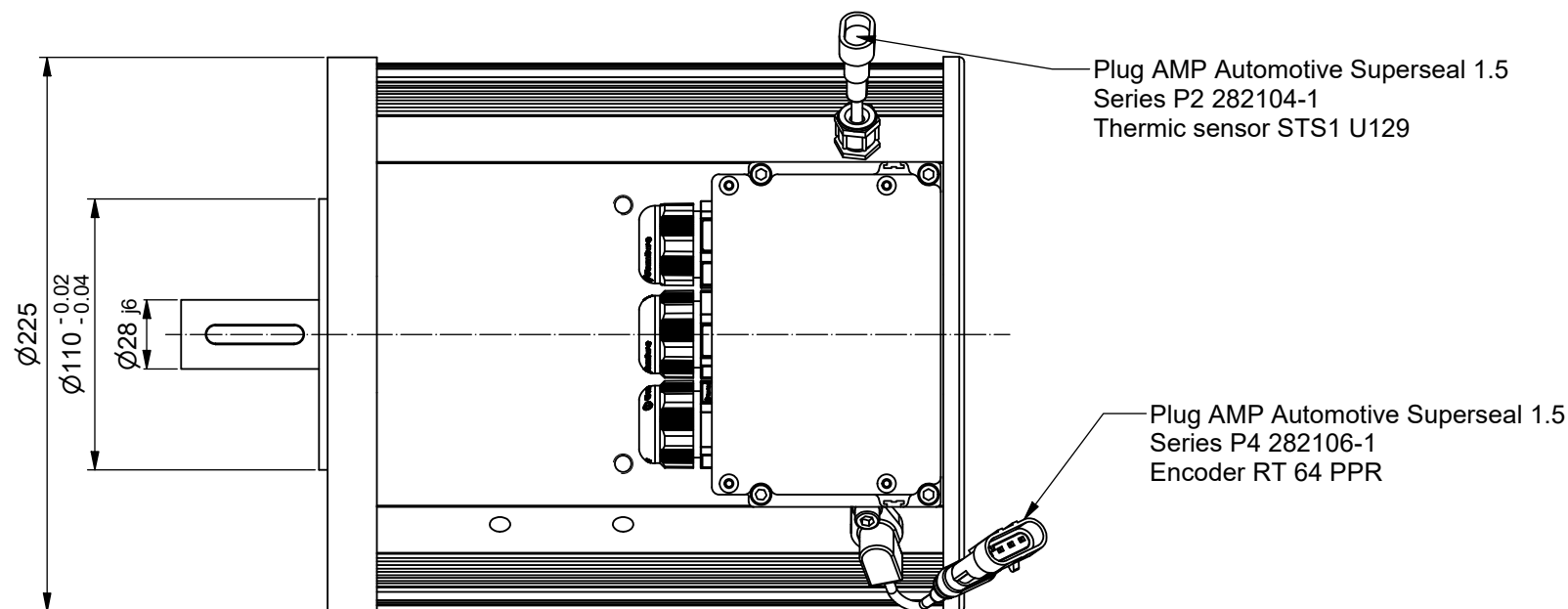
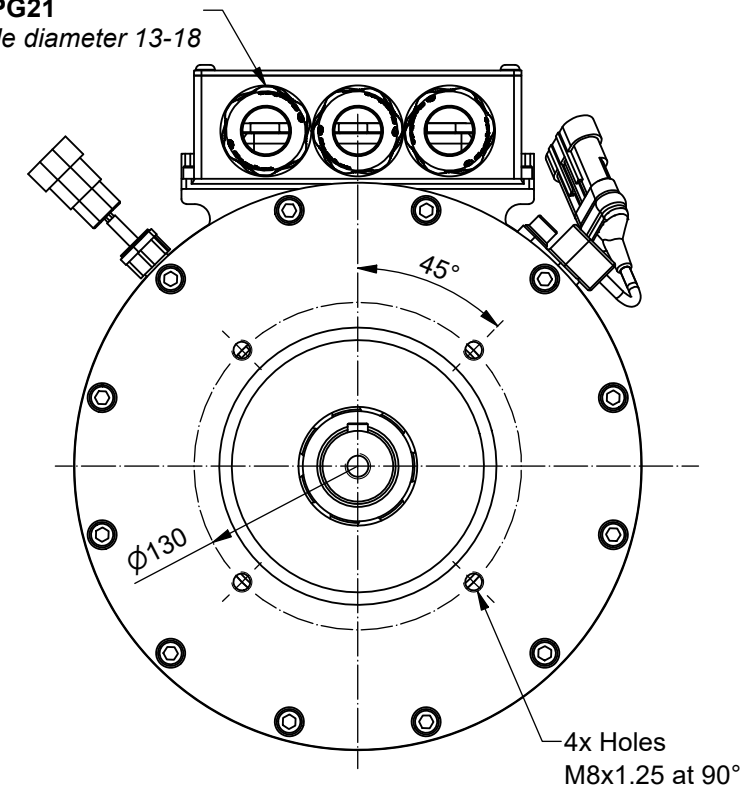


Cable gland PG21  
Permitted cable diameter 13-18



B			
A			
Ref. :	Description :	Signature :	Ref. Date :
Measures without tolerance must be considered +/-1mm. These drawings may be subject to change over time.			
Product : AMX 200 - 080 - B14/100			
All rights reserved. No designs, or part of them, may be copied, modified or transmitted in any form without permission of C.F.R.		Date: 23/11/2021	Scale: 1:3
			<b>A3</b>