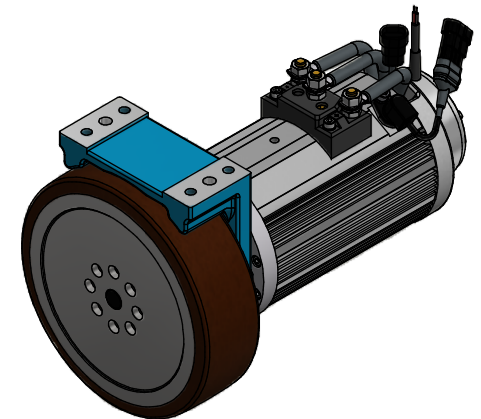


Traction motor data		
Type	AC Asynchronous	
Curve		
Power	W	500
Motor voltage (~3)	V	16
Battery voltage	V	24
Speed	Rpm	3000
Frequency	Hz	100
Current	A	26
Torque	Nm	1.6
Enclosure	IP	44
AC motor type	AME106 - 80	

Traction gear data		
Gear ratio	i	32
Max accel. and braking torque	Nm	120
Nominal wheel torque	Nm	48.4
Max load on vulkollan wheel	Kg	470
Brake torque	Nm	5
Lubrication	Grease	



Total Weight	Kg	10
---------------------	----	----

Rev.	Description	Date	Signature
C			
B			
A			

Data :	01/10/2020	Scala :	1 : 3	A3
Date :		Scale :		
Dis :	S.I			
Drawn :				