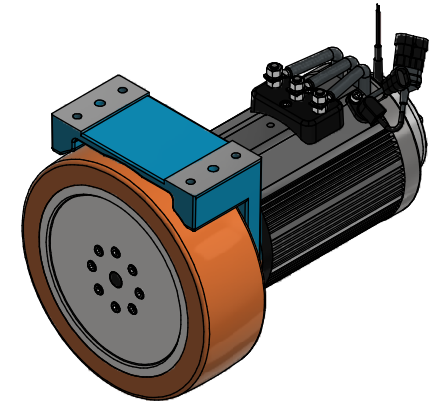


Traction motor data		
Type : AC Asynchronous		
Curve		
Power	W	1200
Motor voltage (~3)	V	16
Battery voltage	V	24
Speed	Rpm	2000
Frequency	Hz	67
Current	A	63
Torque	Nm	5.7
Enclosure	IP	44
AC motor type	AME - 135 - 75	

Traction gear data		
Gear ratio	i	32
Max accel. and braking torque	Nm	260
Nominal wheel torque	Nm	174
Max load on vulkollan wheel	Kg	800
Brake torque	Nm	10
Lubrication		Grease



Total Weight	Kg	35
---------------------	----	----

C			
B			
A			
Rev.	Description	Date	Signature

Data :	31/07/2020	Scala :	1 : 4	A3
Date :		Scale :		
Dis :	S.I.			
Drawn :				