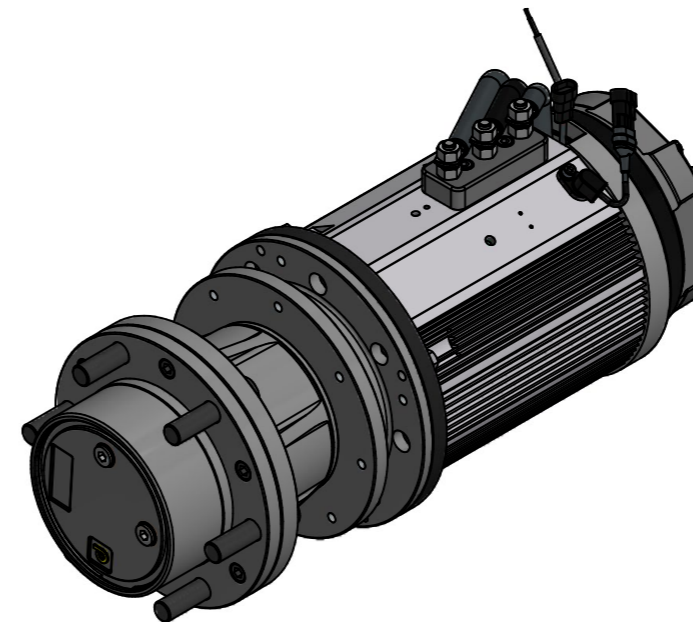
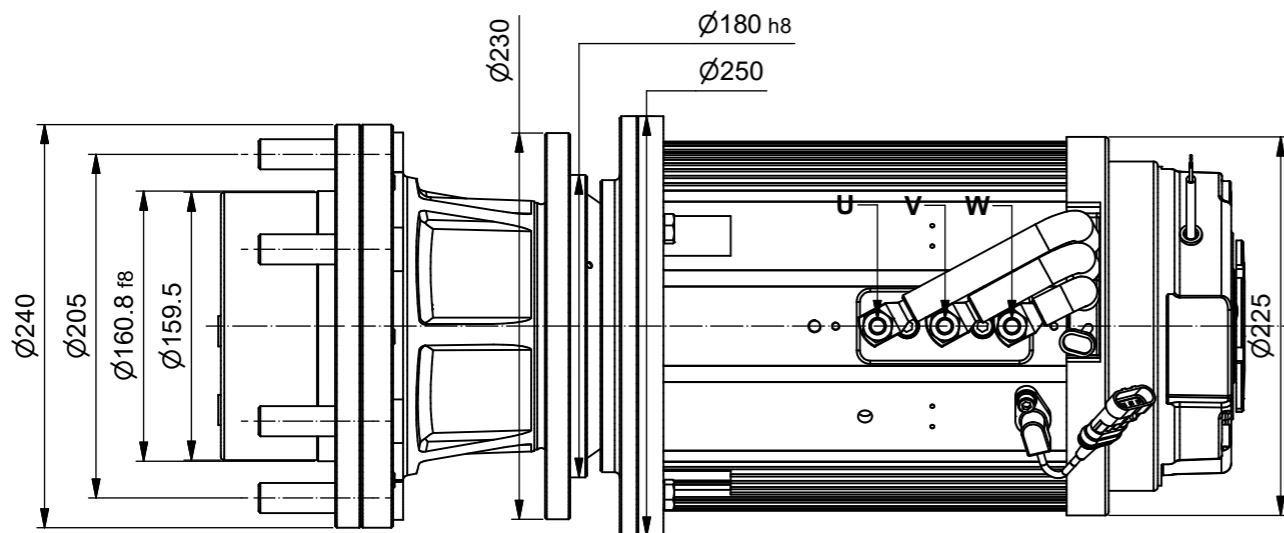
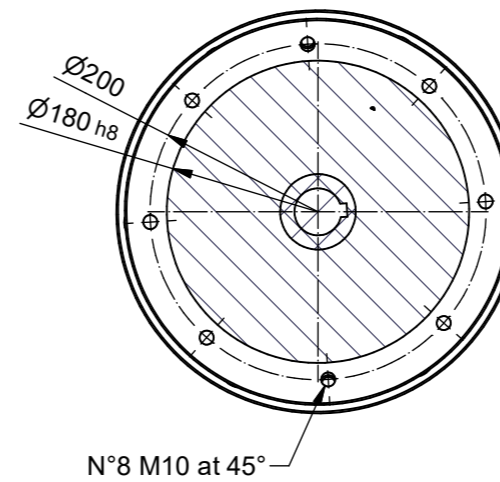


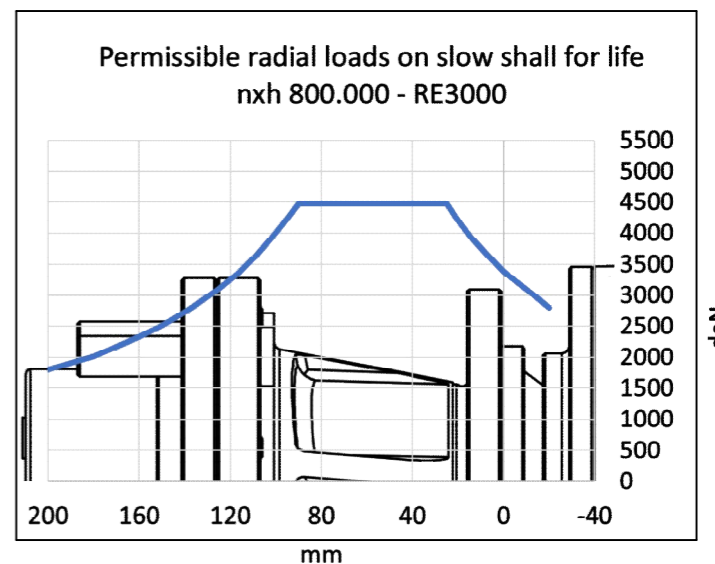
Sez.A-A



Traction motor data		
Type : AC Asynchronous		
Curve		
Power	W	5000
Motor voltage (~3)	V	56
Battery voltage	V	80
Speed	Rpm	1500
Frequency	Hz	50
Current	A	73
Torque	Nm	32
Enclosure	IP	44
AC motor type	AME200 - 120	

Traction gear data		
Gear ratio	i	29.2
Max accel. and braking torque	Nm	3000
Nominal wheel torque	Nm	855
Max load on vulkollan wheel	Kg	4500
Brake torque	Nm	80
Lubrication	Oil	

Oil Type	VG150
Emergency Brake disengage	Optional
Oil not provided	



Total Weight	Kg	80
---------------------	----	----

Rev.	Description	Date	Signature
C			
B			
A			

Data :	11/05/2021	Scala :	1:4.5	A3
Date :		Scale :		
Dis :	S.I.			
Drawn :				