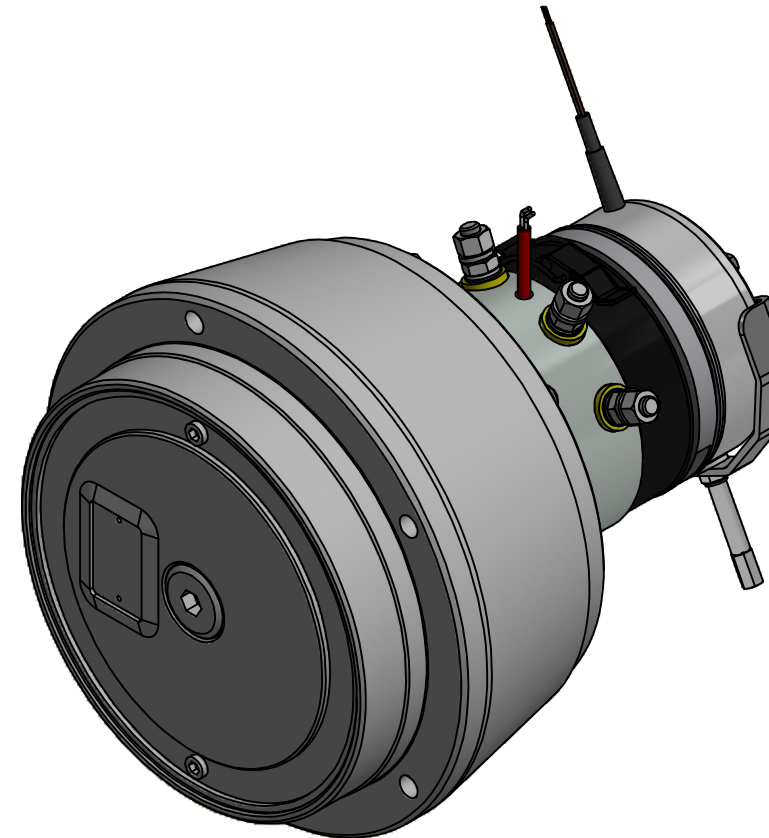
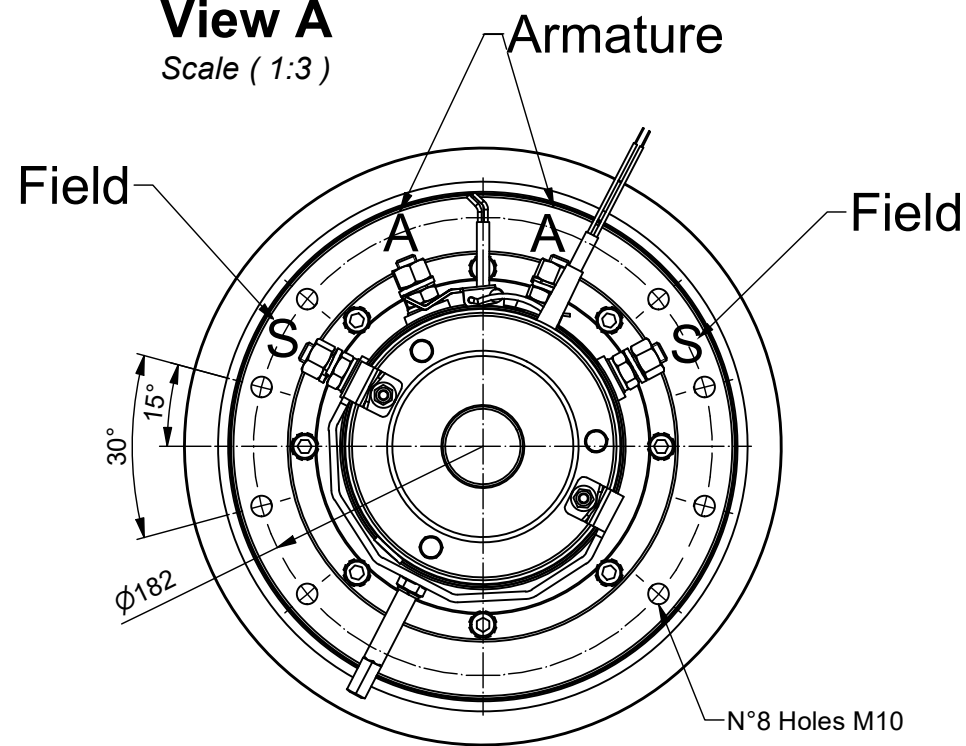


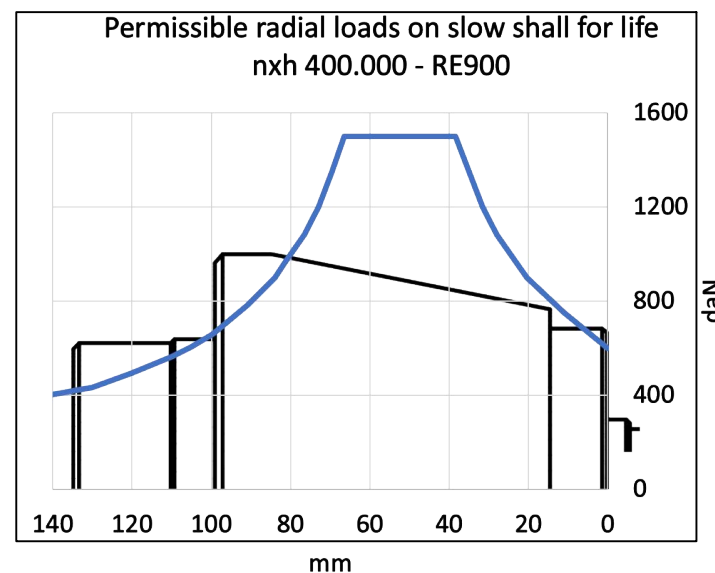
View A
Scale (1:3)



Traction motor data		
Type : CA Motor		
Curve		
Power	W	450
Battery voltage	V	24
Speed	Rpm	2850
Current	A	25
Torque	Nm	1.5
Enclosure	IP	20
DC motor type	CA113 - 125	

Traction gear data		
Gear ratio	i	1:52.3
Max accel. and braking torque	Nm	900
Nominal wheel torque	Nm	71
Max load on vulkollan wheel	Kg	2200
Brake torque	Nm	10
Lubrication		Oil

Oil Type	VG150
Emergency Brake disengage	Yes
Oil not provided	



Total Weight	Kg	30
---------------------	----	----

C			
B			
A			
Rev.	Description	Date	Signature

Data :	13/10/2021	Scala :	1:3	A3
Date :		Scale :		
Dis :	S.I.			
Drawn :				