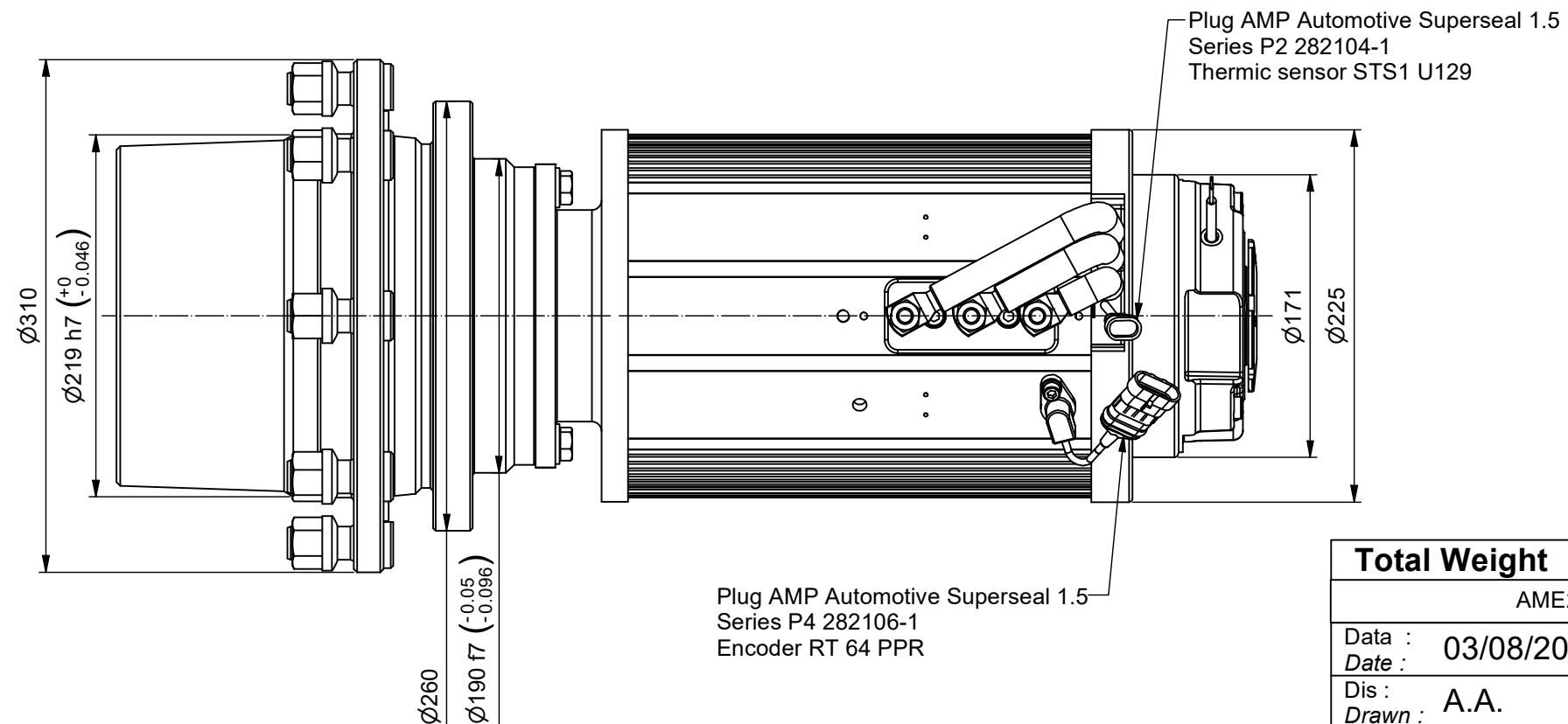
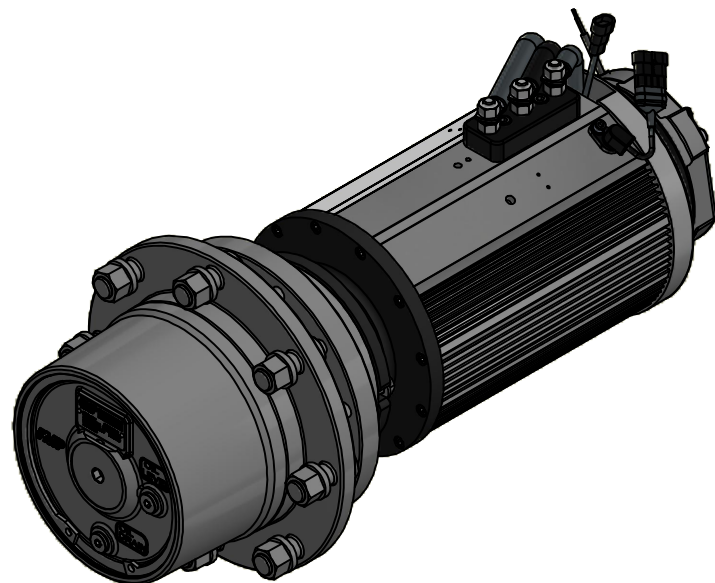


Motor data		
Type	AC Asynchronous	
Curve		
Power	W	6000
Motor voltage (~3)	V	48
Battery voltage	V	200
Speed	Rpm	2500
Frequency	Hz	83
Current	A	147
Torque	Nm	23
Enclosure	IP	44

Gear data		
Max Gearbox Output Torque	Nm	9000
Gear ratio	i	55,3
Output speed	Rpm	45
Output torque	Nm	1195
Efficiency of steering gear	η	0,94
Max radial load	N	70000
Max axial load	N	-
Lubrication	Oil	



Total Weight		Kg	104
AME200 - 160 - Gr.14			
Data :	03/08/2020	Scala :	1:4
Date :		Scale :	
Dis :	A.A.		
Drawn :			
			A3